

SUB-COMPACT & COMPACT SWEEPERS

Powerful, highly flexible
sweeping and cleaning vehicles for
any urban environment.



RAVO R1, R2 & E2

ENVIRONMENTALLY-FOCUSED SUB-COMPACT & COMPACT ROAD SWEEPING SOLUTIONS

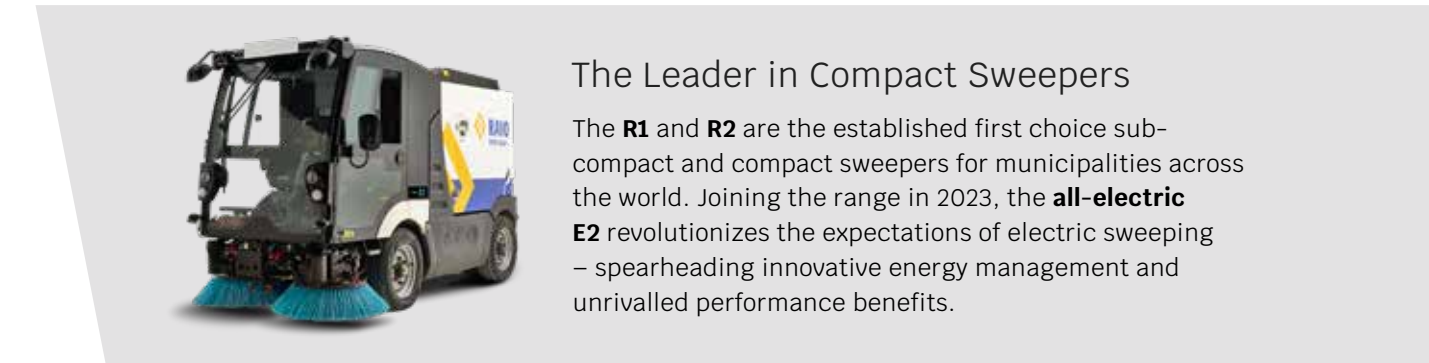


WELCOME TO RAVO

Industry Leading Road Sweeping & Cleaning Solutions

With a long and pioneering history in the industry, RAVO is a leading manufacturer of high-quality compact road sweeping solutions spanning from 1 to 5 cubic metre hopper capacities. RAVO vehicles are durable and reliable industry standouts designed with operator efficiency, comfort and safety in mind.

Partnered with a strong global dealer network and an expert Parts & Service team, RAVO is proud to offer our customers a complete range of products and services.



The Leader in Compact Sweepers

The **R1** and **R2** are the established first choice sub-compact and compact sweepers for municipalities across the world. Joining the range in 2023, the **all-electric E2** revolutionizes the expectations of electric sweeping – spearheading innovative energy management and unrivalled performance benefits.

Our machines are powerful, and so are our partnerships

To find your local RAVO dealer, visit our website:
ravo.fayat.com



RAVO R1

Dedicated sweeping performance for the city

Built to work hard in the heart of the city, RAVO's R1 sub-compact sweeper combines powerful performance with exceptional manoeuvrability to reach areas inaccessible to others.

- **Agile in every environment.** An articulated cabin and compact design makes it easier to clean in tight spaces. Its inner turning radius is only 735 cm.
- **Operator focused driving experience.** The R1's cabin is the most spacious in its category and has been designed to empower the operator. It features an ergonomic layout, 360° vision, 7" display screen, air conditioning, and more.

Unrivalled sub-compact performance

- Automatic brush and water start/stop system, as standard.
- Dedicated sweeper with a robust stainless steel hopper.
- Dynamic braking system.
- Four wheel drive system that offers excellent climbing ability.
- Oscillating suspension on each wheel.
- A wide range of accessories and options.



Your choice of Stage V engines:

- > 1.5L Diesel (KUBOTA V1505-E4B)
- > 1.6L Essence (KUBOTA G1605-E3)

R1

SIZE: 2.4 tonnes GVW

SPEED: 0 - 25 km/h

HOPPER CAPACITY: 1 m³

WATER TANK CAPACITY: 140 L

SWEEP WITH: 1380 - 1800 mm

WHEELS: Large 14 inch wheels

For a cleaner environment

The R1 has three preset modes: **Standard**, **EcoMode** and **BoostMode**. Using EcoMode allows the operator to save up to 50% in fuel, reduces noise pollution and preserves the life of your sweeper.



A reduction in clean water consumption.



Low particle emissions - 4 stars in the EUnited PM2.5/10 test.



High end-of-cycle recyclability.



ISO 9001, ISO 14001 and ISO 45001 certifications - guaranteeing that our manufacturing process takes the environment into account.



RAVO R2

Setting the standard in urban cleanliness

Class-leading suction and sweeping performance combines with exceptional comfort and agility – the R2 excels in any urban environment.

- Unrivalled suction performance in the 2m³ segment.** The unique suction line is designed with a 250mm straight suction pipe and a 13,000 m³/h turbine to optimise airflow. The R2 sets the standard for vacuum performance.
- Patented push/pull sweeping system.** Clean the most difficult to reach areas with a unique brush deployment and independently controlled brushes. The R2 reaches up to 2450mm (or up to 2900 mm with third brush option).
- Agile in the city.** A short overhang and 4-/2-wheel steering, with patented auto-steer system, helps the operator sweep in tight spaces. This system also makes the transition from sweeping to transit easy.



An industry standout

- Operates in 2- and 4-wheel steering mode.
- Start and stop sweeping functions with the press of a single button.
- A comfortable cabin with 360° panoramic view.



Straight suction pipe.



Push/pull sweeping system.

R2

SIZE: 5.3 tonnes GVW

SPEED: 25, 30, 40, 45 or 50 km/h

HOPPER CAPACITY: 2 m³

CLEAN WATER TANK: 300 L (Up to 540 L with option)

WATER RECYCLE OPTION: 200 L

SWEEP WIDTH:

- > 1280 - 2450 mm (Standard)
- > Up to 2900 mm (with Third Brush)

We offer five engine options that deliver powerful low-speed performance, while keeping the environment in mind.

- > Kubota V3800 Stage V / Tier 4
- > VM R754 Euro 6 Step D
- > Kubota Stage IIIA
- > Kubota WG 3800 Essence Stage V
- > Kubota Essence Stage V Éthanol



A flexible range of front tools

Tackle a wide range of applications with the R2's flexible front tool platform.



Third Brush

> The R2's third brush option extends sweep coverage to an impressive 2900 mm. It is also perfect for weed ripping applications, without the need to use harmful chemicals.



High Pressure Spray Bar

> For dedicated street washing, the front spray bar attachment delivers exceptional coverage for in-depth cleaning of the road surface.



Scrubbing Deck

> A dedicated scrubbing head, with three powerful brushes and an integrated detergent tank, is perfect for renovating any type of road surface.



Winter Maintenance Equipment

> The R2 offers a number of flexible front tools to help customers tackle winter maintenance including a snow brush, snow blade and gritting unit.



Also in the **RAVO Compact Range:**



RAVO R2s
The R2s is a dedicated road scrubbing machine, with 5 fixed scrubbing heads, for cleaning the road surface.

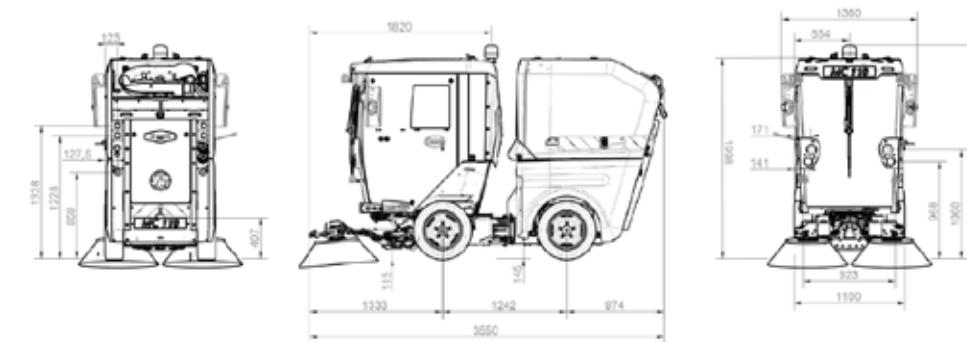


RAVO R2w
The R2w is a dedicated washing solution with a large water tank and fixed spray bar for cleaning urban areas.



R1/R2 TECHNICAL SPECIFICATIONS

RAVO R1



Steering

Steering	Articulated
Turning Radius (Internal)	735 mm
Turning Radius (Between Sidewalks)	1875 mm
Turning Radius (Between Walls)	2175 mm

Brakes

Front	Dynamic Drum Brakes - Integrated into the Drive Motors
Parking	Multidisc Brakes with Lack of Pressure Integrated into the Drive Motors

Weights

Tare Weight (Option Dependent)	1900 kg
GVW	2400 kg

Speeds

Transit Speed	0 - 25 km/h
Engine Speed (Transit Mode)	3000 rpm
Work Speed	0 - 7 km/h
Engine Speed (Work Mode)	1600/1900/2200 (diesel) 1250/1600/1900 (gasoline)

Transmission

Wheel Drive	4
Drive	Hydrostatic
Gradeability	Up to 30%

Capacities

Fuel Tank	45 L
Clean Water Tank	140 L
Recycling System	100 L
Hydraulic Tank	45 L

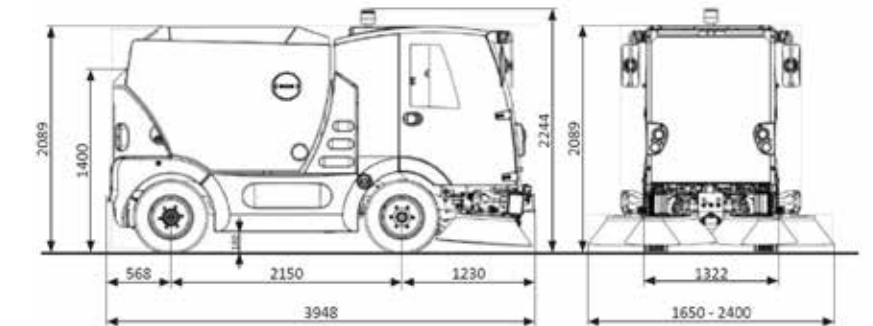
Suspension

Front & Rear	Independent Wheels Suspended on Leaf Springs
-------------------------	--

Tyres

Front	175/65 R14
Rear	175/65 R14

RAVO R2



Steering

Steering	2 or 4 Wheel Steer with Automatic Realignment of Rear Axle in Transit
Turning Radius (Curb to Curb)	3150 mm
Turning Radius (Wall to Wall)	3700 mm

Brakes

Front	Disc Brakes with Dual Braking System
Parking	Hydraulic Brakes and Rear Disc Brakes (Optional)

Weights

GVW	5300 kg
Max. Weight on Front Axle	2750 kg
Max. Weight on Rear Axle	2750 kg

Speeds

Transit Speed	25 - 50 km/h
Work Speed	0 - 15 km/h
Engine Speed (Work Mode)	1400 - 2000 rpm
Gradeability	Up to 28%

Capacities

Fuel Tank	70 L
Clean Water Tank	300 L
Additional Clean Water Tank	240 L
Water Recycling Option	200 L

Suspension

Front & Rear	Leaf Springs
-------------------------	--------------

Tyres

Front	225/65 R16 C
Rear	225/65 R16 C

RAVO E2

100% performance, 100% electric,
0% emissions - **the revolutionary E2**

To optimize performance, minimize environmental impact and guarantee great working autonomy, **the E2 revolutionizes energy management:**



Optimised Energy Consumption



Water Saving



TCO Reduction



Low Noise

Renowned RAVO quality, exceptional suction performance and the environmental protection we all need. The E2 goes beyond electrification with the latest developments to deliver efficiency, performance and operator comfort.

- **Choice of 48 or 64 kWh battery.** This means you can choose the right size (and cost) for your operation.
- **Autonomy.** Finish your shift without worrying about recharging through the optimization of consumption and energy management.
- **Built for the city.** The E2 delivers emission-free, low-noise sweeping – making it ideal for any urban environment.



E2

BATTERY TYPE: Forsee Power Lithium-ion (NMC)

BATTERY CAPACITY: 48 or 64 kWh

SPEED: 25 - 50 km/h

SUCTION POWER: 13,000 m³/h

SWEEPING WIDTH: 1280 - 2450 mm

TURNING RADIUS: 3150 mm (curb to curb)



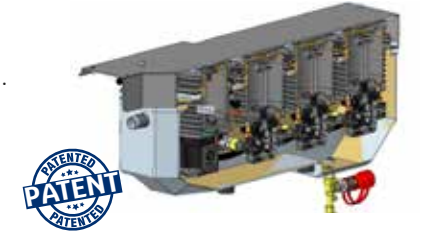
red dot winner 2024

Winner in the **Product Design** and **Product Innovation** categories.

Patented Innovations

Intelligent energy management

The E2's philosophy is to deliver energy only when it is required. The machine's electro-hydraulic architecture has been designed to optimise energy consumption for exceptional autonomy.



Redesigned suction system

The suction system has been designed to reduce power losses and the new suction mouth increases peripheral air velocity. In addition to this, the turbine also produces superior suction performance and has an intelligent self-adjustment feature.



Automatic brush & water start/stop system

When you stop while working (for example, at a red light), the E2 automatically stops sweeping and halts the delivery of water to the water jets – this saves energy and water to extend on-station time.



Swappable battery system

The E2 allows you to exchange its battery for a freshly charged one at the end of a shift, providing greater flexibility for workload organization. This option removes range anxiety and extends battery life by removing the need for fast charging.





E2 TECHNICAL SPECIFICATIONS

Steering

Steering	2 or 4 Wheel Steer with Automatic Realignment of Rear Axle in Transit
Turning Radius (Curb to Curb)	3150 mm
Turning Radius (Wall to Wall)	3700 mm

Weight

GVW	5300 kg
Maximum Weight (Front Axle)	2750 kg
Maximum Weight (Rear Axle)	2750 kg

Speeds

Transit Mode	Up to 50 km/h
Work Speed	0 - 15 km/h (0 - 7 km/h Optional)
Gradeability	Up to 28%

Brakes

Front	Disc brakes with Dual Braking System
Rear	Disc Brakes

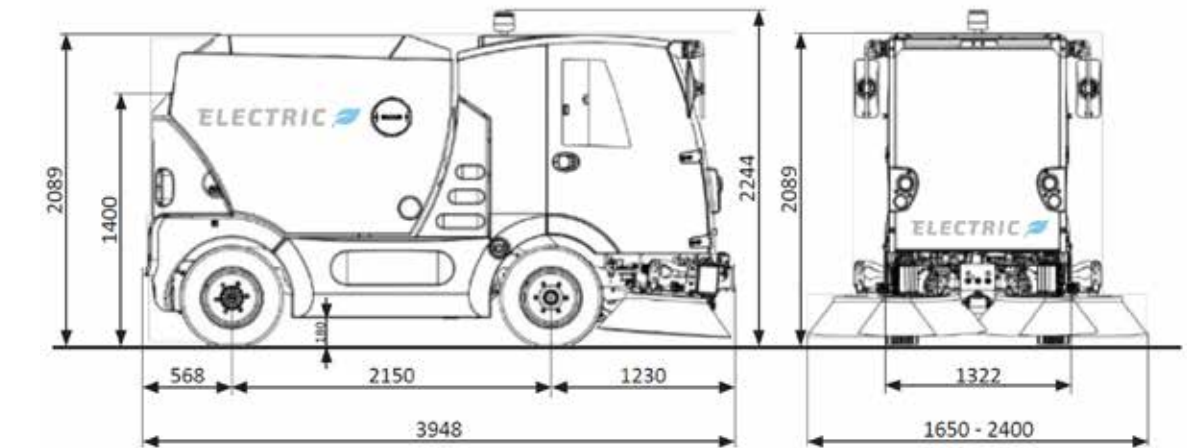
Tyres

Front	225/65 R16 C
Rear	225/65 R16 C

Suspension

Front & Rear	Leaf Springs
-------------------------	--------------

Dimensions



Battery

Battery Type	Forsee Power Lithium-ion (NMC)	Forsee Power Lithium-ion (NMC)
Capacity	48 kW/h	64 kW/h
Normal Voltage	96 V	96 V
Performance	Completes a Full Shift*	Completes a Full Shift*
Warranty	3 Years or 4000 Hours	3 Years or 4000 Hours
Max. Torque	Up to 720 Nm	Up to 720 Nm
Max. Power	40 kW @ 1500 rpm (25 kms/hr) / 75 kW @ 2000 rpm (50 kms/hr)	40 kW @ 1500 rpm (25 kms/hr) / 75 kW @ 2000 rpm (50 kms/hr)

Charging

Charger	6 kW	18 kW
Electric Network	Three-Phase	Three-Phase
Charging Times (48 / 64 kW)	8h / 10h	2.5h / 3.5h
Charge Type	Type 2 - (CEI 62196 - 2)	32 A Tetrapolar
Charge Location	Internal	External



*Depending on the user profile/charge usage/according to standard 15429-1

OPERATOR FIRST

Performance, visibility & safety for all applications

At RAVO, our focus is on the operators behind the wheel.

With increased cabin comfort, unwavering safety standards and an ergonomic, innovative control panel for easy and efficient control of all sweeping functions, our vehicles deliver long-lasting performance that our operators can rely on every time.



Next Generation Telematics.

RAVO sweepers are equipped with an onboard telematics system that collects 50 signals from the CANbus system, as well as collecting location data and delivering updates on sweeper route information.

As part of the telematics system, the operator has access to data from your Propulse dashboard, or your own fleet management system, via an API connection.

AFTER SALES SUPPORT

Genuine RAVO parts

The best way to ensure your machine remains working in top condition is by always using Genuine RAVO Parts. With a high first time pick rate and dedicated parts facilities stationed around Europe, we'll have your parts to you as quickly as possible, wherever you are in the world.

Class-leading service

RAVO understands that keeping your machine on the road is one of our most important jobs. That's why we prioritise a Dealer Network that's as powerful as our machines. Find your local dealer for more information about the service options available to you: ravo.fayat.com



myRAVO is a state-of-the-art online portal to help our dealers and customers keep every RAVO machine operating in peak condition. Features include:

- Access to the latest information on all RAVO machines.
- Technical documentation for all models.
- Access to warranty services.



The RAVO Academy sets the industry standard in dealer and customer training. The RAVO Academy strives to deliver the highest level of training, knowledge and skills to every participant to help them get the most from their RAVO sweeper.

We provide a comprehensive range of training courses specifically designed around our products that contribute to increased safety standards, increasing the uptime of each sweeper, and helping customers achieve greater cost efficiency.





Flexible Sub-Compact & Compact road sweeping solutions:

- New generation electric technology.
- Exceptional suction performance.
- Operator-first driving experience.
- Next generation telematics.

Discover the full RAVO range: ravo.fayat.com

Dealer

